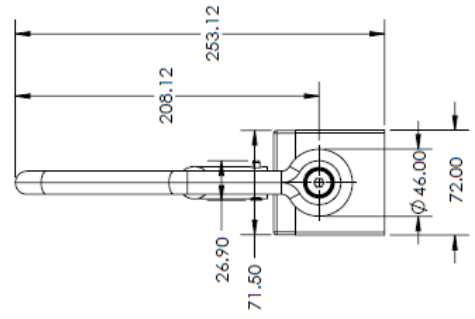
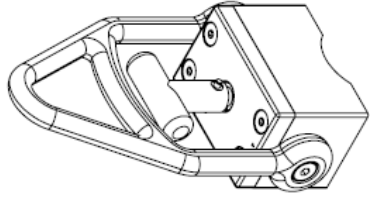
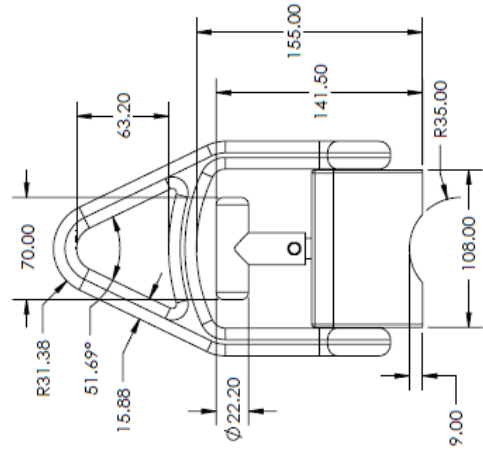
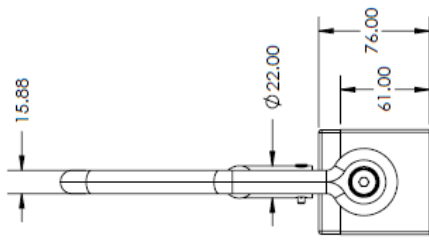
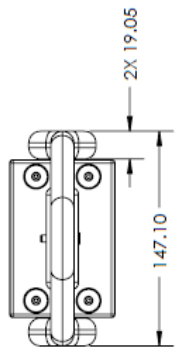


1 2 3 4 5 6

Max Breakaway	1000 lbs / 454 kg
Safe Working Load	333 lbs / 151 kg
Optimum Material Thickness	1/2" / 12.7mm



A B C

A B C

INTERPRET DRAWING PER: (DRAWN)	DATE	6/25/2012
DESIGN	DATE	
3RD CHECK	DATE	
2ND CHECK	DATE	
1ST CHECK	DATE	
APPROVED	DATE	

DIMENSIONS ARE IN MILLIMETERS

 THIRD ANGLE PROJECTION

 DO NOT SCALE



TITLE: 2071/15/1000

SIZE	CAGE CODE	DWG. NO.	REV.
B		8100088	01
SCALE	1:3	WEIGHT: 5165.65 g	SHEET 1 OF 1

1 2 3 4 5 6