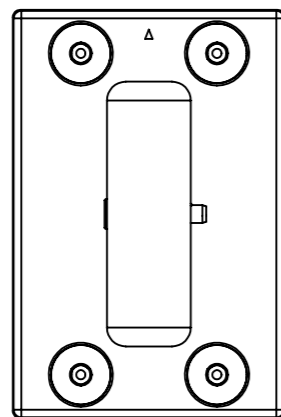


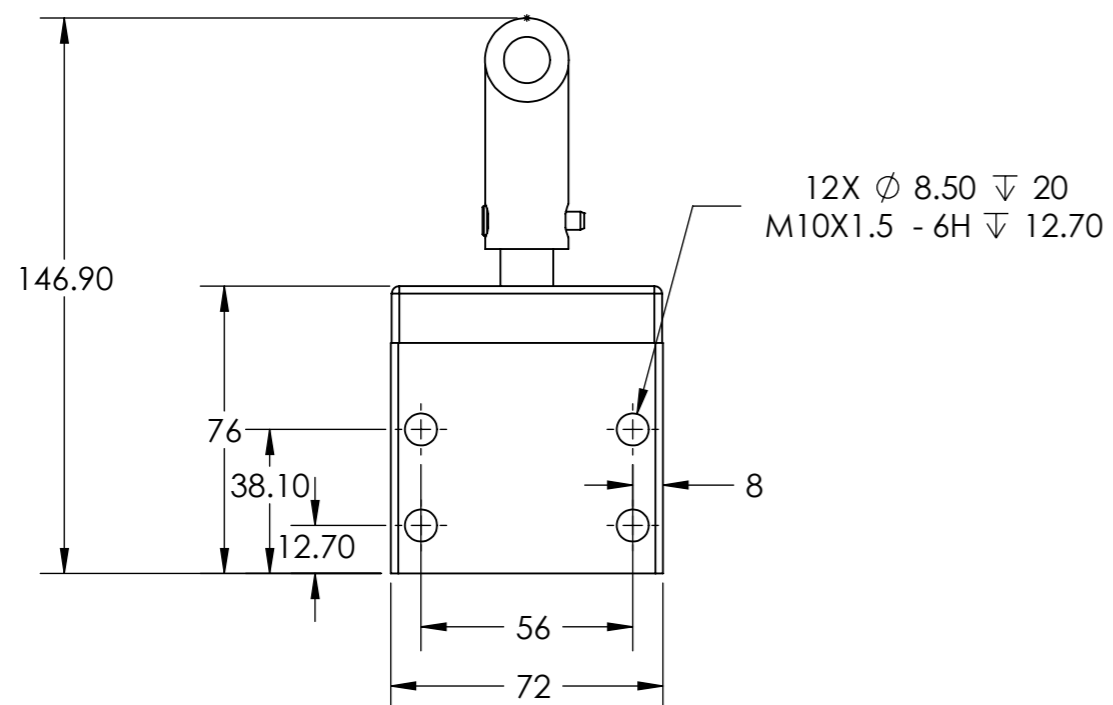
1 2 3 4 5 6

A



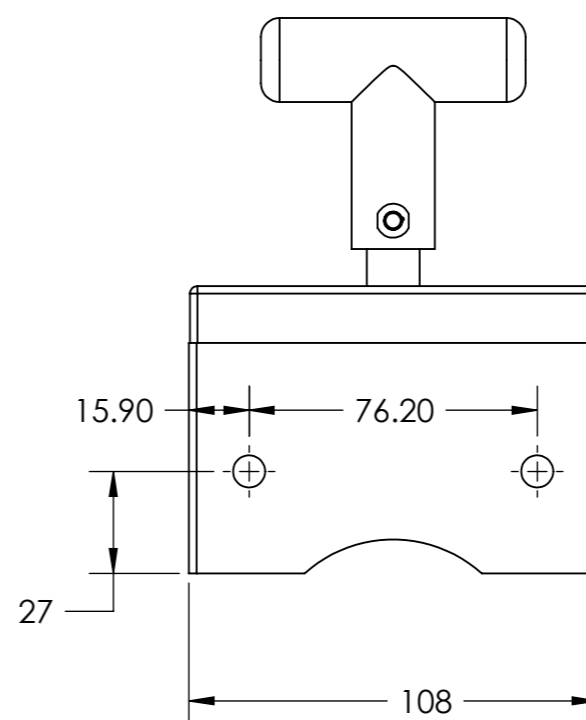
A

B

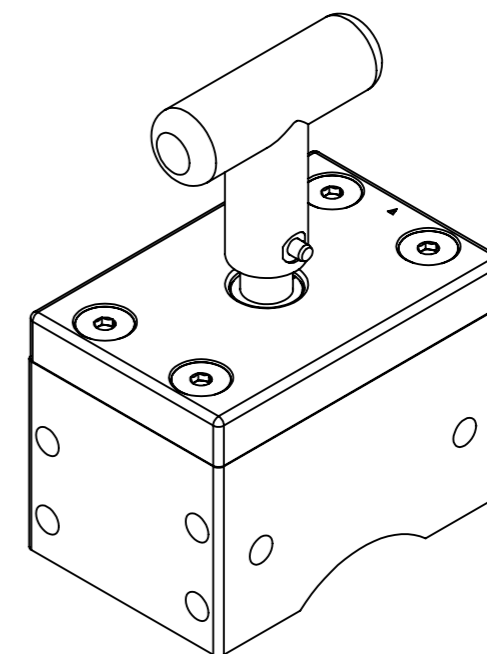


B

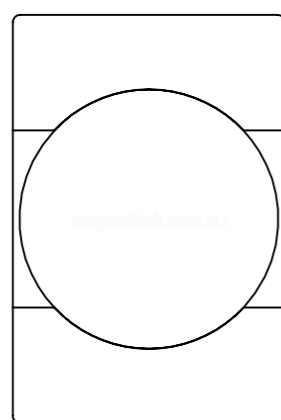
C



C


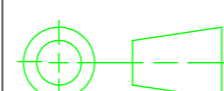


D



D

THIS DOCUMENT, AND THE INFORMATION IT CONTAINS, INCLUDING THE PRINCIPLES OF DESIGN, IS THE EXCLUSIVE PROPERTY OF MAGSWITCH TECHNOLOGY WORLDWIDE AND IS CONFIDENTIAL. ACCORDINGLY, THIS INFORMATION IS SUBMITTED TO YOU WITH THE AGREEMENT THAT IT IS NOT TO BE REPRODUCED, COPIED, OR LOANED IN PART OR IN WHOLE, NOR IS THE INFORMATION TO BE RELAYED TO ANY OTHER INDIVIDUAL OR COMPANY EXCEPT AS MTW FIRST AUTHORIZES IN WRITING. ACCEPTANCE OF THIS DOCUMENT CONSTITUTES AGREEMENT TO THESE RESTRICTIONS.

INTERPRET DRAWING PER: ANSI Y14.5M-1994		DRAWN	DATE	 DRIVE, SUITE 140 ER, COLORADO 80031 52 / FAX 303-951-9918		
DIMENSIONS ARE IN MILLIMETERS		DESIGN	DATE	TITLE:		
 THIRD ANGLE PROJECTION		STD. CHECK	DATE	2041/83/1000		
DO NOT SCALE		F/F CHECK	DATE			SIZE
		APPROVED	DATE	B	DWG. NO.	REV
				SCALE 1:2	8000099	01
				WEIGHT: 3694.44 g	SHEET 1 OF 1	

1 2 3 4 5 6