

1

2

3

4

5

6

A

A

B

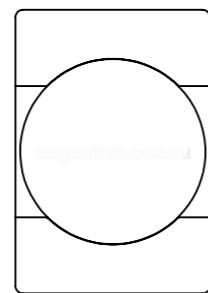
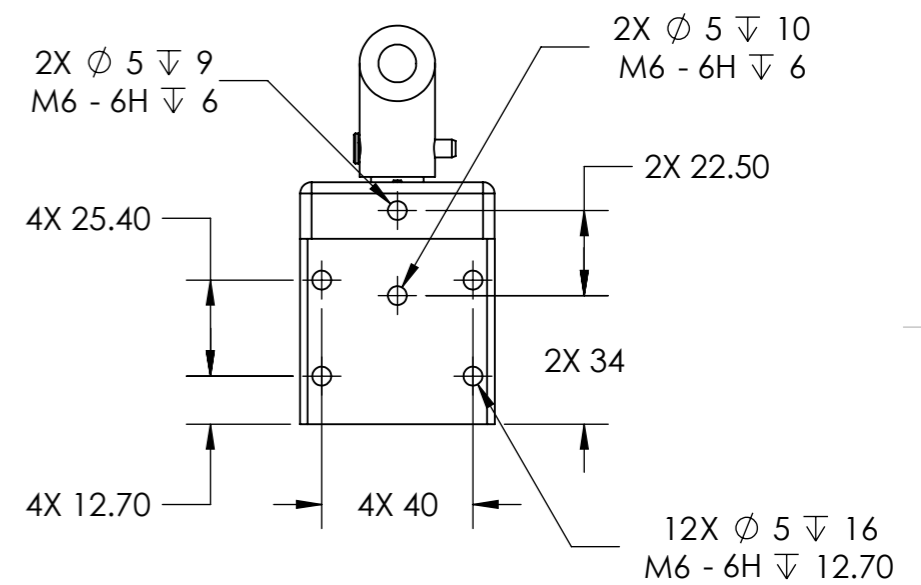
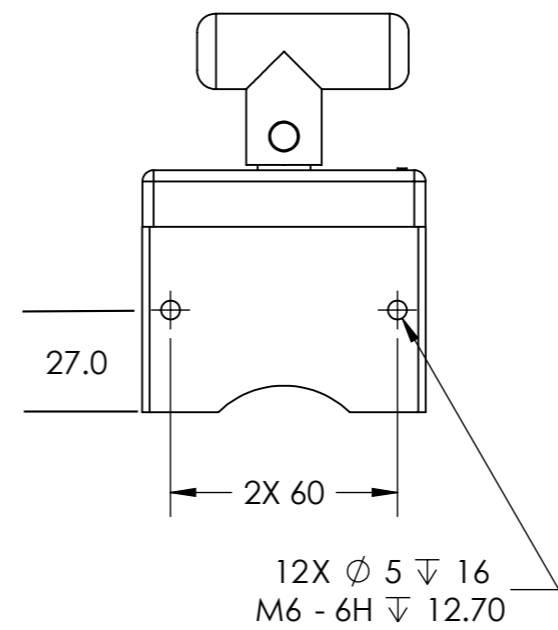
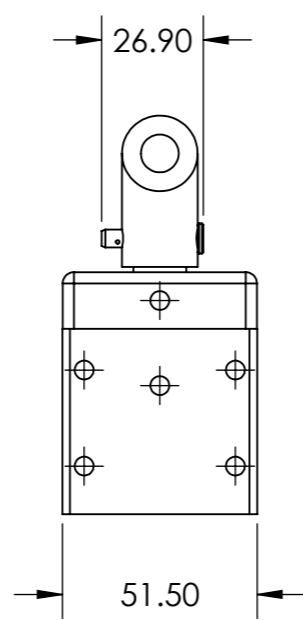
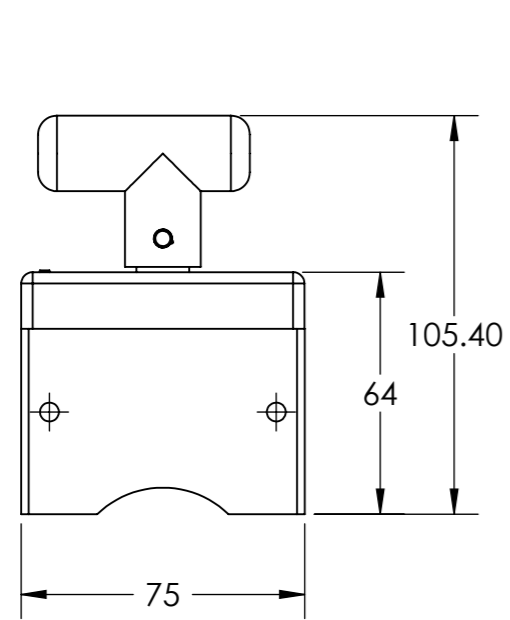
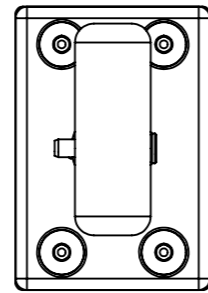
B

C

C

D

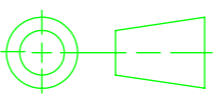
D




NOTES: UNLESS OTHERWISE SPECIFIED

1. INSPECT (S T) DIMENSIONS PER ISO 2768-M
2. 1° DRAFT ALLOWED FOR CASTING
3. REMOVE ALL BURRS AND BREAK SHARP EDGES.
4. IF CAST, TUMBLE DEBUR AFTER CASTING
5. FOR GENERAL DIMENSIONS NOT SPECIFIED SEE 3D CAD DATA
6. SURFACE ROUGHNESS

THIS DOCUMENT, AND THE INFORMATION IT CONTAINS, INCLUDING THE PRINCIPLES OF DESIGN, IS THE EXCLUSIVE PROPERTY OF MAGSWITCH TECHNOLOGY WORLDWIDE AND IS CONFIDENTIAL. ACCORDINGLY, THIS INFORMATION IS SUBMITTED TO YOU WITH THE AGREEMENT THAT IT IS NOT TO BE REPRODUCED, COPIED, OR LOANED IN PART OR IN WHOLE, NOR IS THE INFORMATION TO BE RELATED TO ANY OTHER INDIVIDUAL OR COMPANY EXCEPT AS MTW FIRST AUTHORIZES IN WRITING. ACCEPTANCE OF THIS DOCUMENT CONSTITUTES AGREEMENT TO THESE RESTRICTIONS.

INTERPRET DRAWING PER: ISO 2768-M DIMENSIONS ARE IN MILLIMETERS  THIRD ANGLE PROJECTION DO NOT SCALE	DRAWN	DATE
	DESIGN	DATE
	STD. CHECK	DATE
	F/F CHECK	DATE
	APPROVED	DATE


 DRIVE, SUITE 140
 COLORADO 80031
 / FAX 303-951-9918

TITLE: **2041/83/600**

SIZE	CAGE CODE	DWG. NO.	REV
B		8000106	04

SCALE 1:2 WEIGHT: g SHEET 1 OF 1

1

2

3

4

5

6