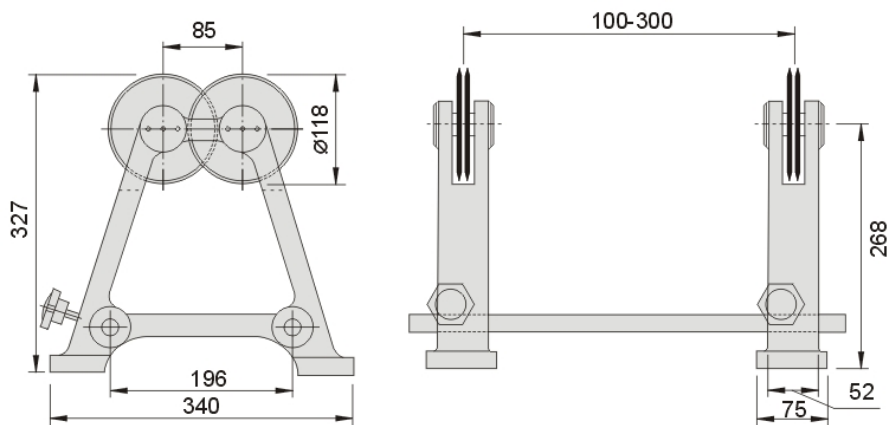


WHEEL BALANCING STAND – EM TS1



Use : Static balancing of grinding wheels up to 508 mm diameter.

Features :

- 4 hardened steel rollers 56-58 HRC.
- Extension range of the two side rollers : 100-300 mm
- Weight 14 Kg.