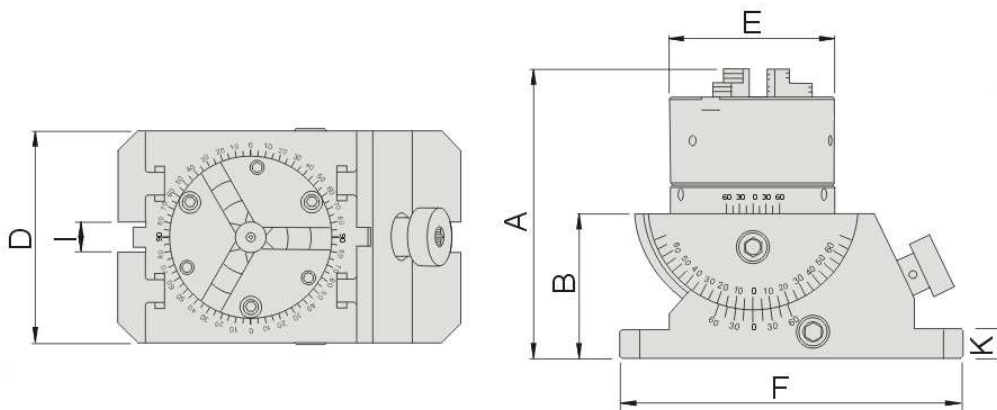


UNIVERSAL 3 JAWS CHUCK - BOM



Dimensions (mm)								Clamping range		Weight Kg
Part Number	A	B	D	E	F	I	K	on outer Ø	on inner Ø	
1002/10/180	150	75	110	Ø85	178	16	15	4~180	56~170	12
1002/10/220	181	75	110	Ø112	178	16	15	5~220	62~210	13

Use : Light milling, grinding, engraving ...

Features :

- Tool steel material
- 3 jaws chuck
- Tilting 0-60°.
- Horizontal swivel 360°.