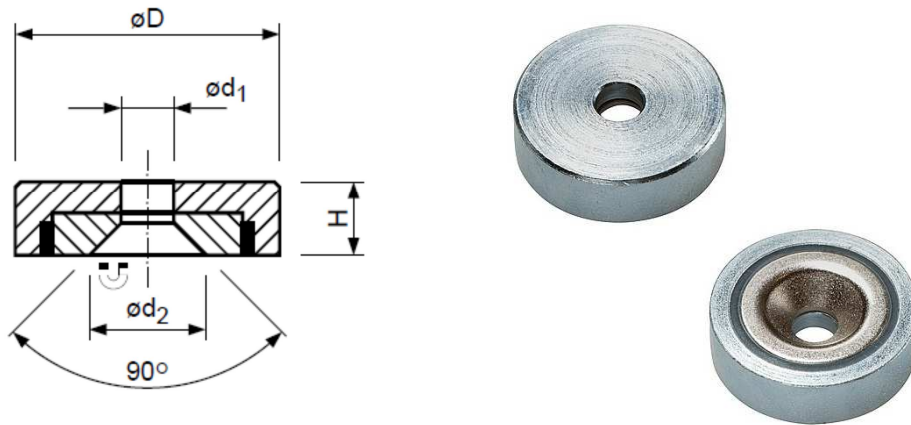


FLAT POT MAGNET NEODYMIUM, WITH BORE AND COUNTERBORE, GALVANIZED – VND01



Part Number	Dimensions (mm)				Force N	Weight g
	$\varnothing D$	H	$\varnothing d_1$	$\varnothing d_2$		
2091/32/10	10	4,5	2,6	5,2	19	2
2091/32/13	13	4,5	3,5	6,6	40	4
2091/32/16	16	4,5	3,5	6,6	75	6
2091/32/20	20	6	4,5	9	105	13
2091/32/25	25	7	4,5	9	160	24
2091/32/32	32	7	5,5	11	310	39
2091/32/40	40	8	5,5	10,6	500	73



Maximum use temperature : 80°C

* The forces have been determined at room temperature on a plate in polished steel (S235JR according to DIN 10 025) with a thickness of 10 mm