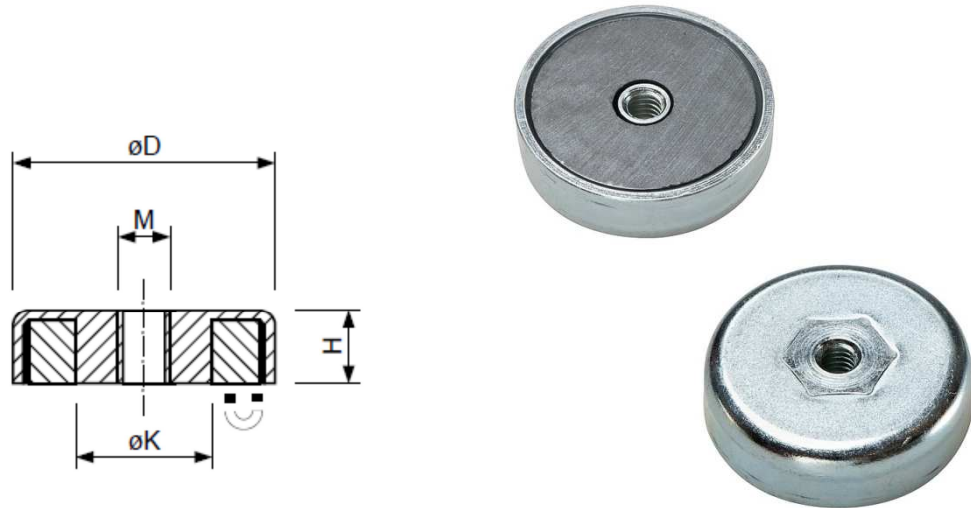


**FLAT POT MAGNET HARD FERRITE, WITH INTERNAL
THREAD, GALVANIZED – VF23 -**



Part Number	Dimensions (mm)				Force N	Weight g
	øD	H	øK	M		
2091/18/25	25	7	5,2	M4	36	18
2091/18/32	32	7	5,2	M4	75	29
2091/15/40	40	8	5,2	M4	90	53
2091/18/50	50	10	12	M6	170	94
2091/18/50-2	50	10	12	M8	170	94
2091/18/63	63	14	13	M8	290	206
2091/18/80-1	80	18	14,5	M8	550	472
2091/18/80-2	80	18	14,5	M10	550	466



Maximum use temperature : 200°C

* The forces have been determined at room temperature on a plate in polished steel (S235JR according to DIN 10 025) with a thickness of 10 mm