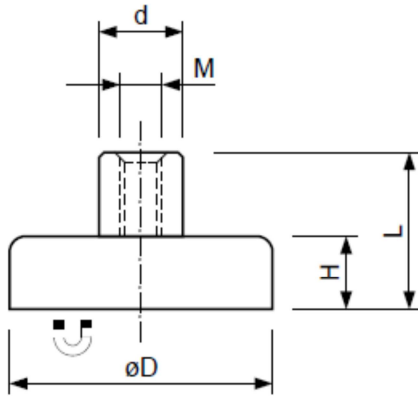


**FLAT POT MAGNET HARD FERRITE, WITH THREADED BUSH,
GALVANIZED – VF02 -**



Part Number	Dimensions (mm)					Force N	Weight g
	øD	H	M	d	L		
2091/12/01	10	4,5	M3	6	11,5	4	3
2091/12/02	13	4,5	M3	6	11,5	10	5
2091/12/03	16	4,5	M3	6	11,5	18	6
2091/12/04	20	6	M3	6	13	30	11
2091/12/05	25	7	M4	8	15	40	22
2091/12/06	32	7	M4	8	15	80	32
2091/12/36	36	8	M4	8	16	100	45
2091/12/07	40	8	M5	10	18	125	60
2091/12/47	47	9	M4	8	17	180	90
2091/12/08	50	10	M6	12	22	220	110
2091/12/57	57	10,5	M4	8	18,5	280	145
2091/12/09	63	14	M8	15	30	350	240
2091/12/10	80	18	M10	20	34	600	520
2091/12/11	100	22	M12	22	43	900	940
2091/12/12	125	26	M14	25	50	1300	170



Maximum use temperature : 200°C

* The forces have been determined at room temperature on a plate in polished steel (S235JR according to DIN 10 025) with a thickness of 10 mm